

Front Panel Board Replacement Instructions

Be sure to follow the instructions in this sheet carefully. Failure to follow these instructions could result in damage to your equipment and may void your warranty.

Note: Written and video instructions covering customer-installable parts are available at <http://www.info.apple.com/installparts/>.

Tools Required

The only tool required for this procedure is a flat-blade screwdriver.

Opening the Computer

Warning: Always turn off your computer before opening it to avoid damaging its internal components.

1. Place your computer on a clean, flat surface.
2. If you think your computer is in sleep, press the power button on the front of the computer to wake it.
3. Shut down your computer by opening the Special menu and choosing Shut Down. Then wait five minutes for the computer's internal components to cool down.
4. If you attached a security cable through the computer's lockable cover latch, remove the cable.
5. Unplug all other cables from the computer except the power cord.
6. Touch the metal PCI access covers on the back of the computer. **(Figure 1A)**

Important: To avoid electrostatic discharge, always ground yourself by touching the port access covers before you touch any parts or install any components inside the computer. To avoid static electricity building back up in your body, do not walk around the room until you have completed your installation and closed the computer.

7. Unplug the power cord.

-
8. Lift the latch on the right side access panel. **(Figure 1B)**
 9. Gently lower the access panel until it lies flat. To avoid scratching the case, lower the panel onto a soft, clean cloth. **(Figure 2)**

Warning: If you see any lights glowing on the main logic board, the computer has not been shut down. Close the side access panel and shut down the computer before proceeding.

Removing the Installed Board

1. Using your thumbs, release the two tabs **(Figure 3A)** on the front panel shield.
2. Rotate the shield and gently pull it a short distance from the chassis.
3. Disconnect the front panel cable **(Figure 3B)** from the front panel board and remove the board and shield from the computer.
4. Using a flat-blade screwdriver, pry up the front panel board from the three holding tabs and remove it from the shield. **(Figure 4)**

Installing the Replacement Board

1. Position the new front panel board in the front panel shield, aligning the connector with the opening in the shield, and snap the board into place.
2. Connect the front panel cable to the new board.
3. Insert the two straight tabs on the shield into the slots in the front chassis and press the other two hooked tabs into the chassis latches.

Closing the Computer

1. Raise the side access panel, lift the latch, and press the panel against the case until it snaps securely into place.
2. Reconnect all cables and restart your computer.

Warning: Never turn on your computer unless all of its internal and external parts are in place and it is closed. Operating the computer when it is open or missing parts can damage your computer or cause injury.

Apple Computer, Inc.

© 2001 Apple Computer, Inc. All rights reserved.

Under the copyright laws, this document may not be copied, in whole or in part, without the written consent of Apple.

The Apple logo is a trademark of Apple Computer, Inc., registered in the U.S. and other countries. Use of the “keyboard” Apple logo (Option-Shift-K) for commercial purposes without the prior written consent of Apple may constitute trademark infringement and unfair competition in violation of federal and state laws.

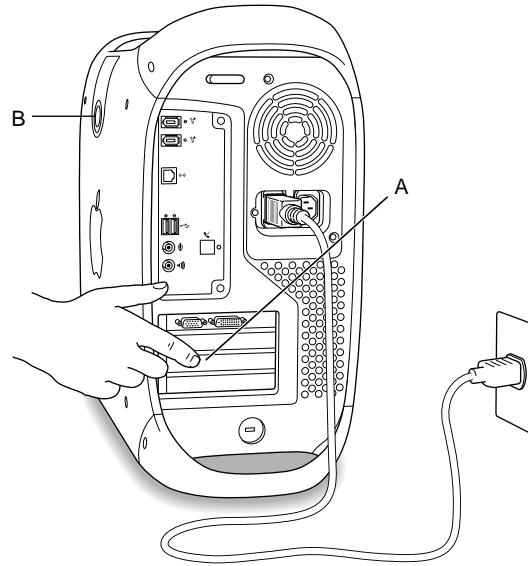
Every effort has been made to ensure that the information in this document is accurate. Apple is not responsible for printing or clerical errors.

Apple Computer, Inc.
1 Infinite Loop
Cupertino, CA 95014-2084
USA
+ 1 408 996 1010
<http://www.apple.com>

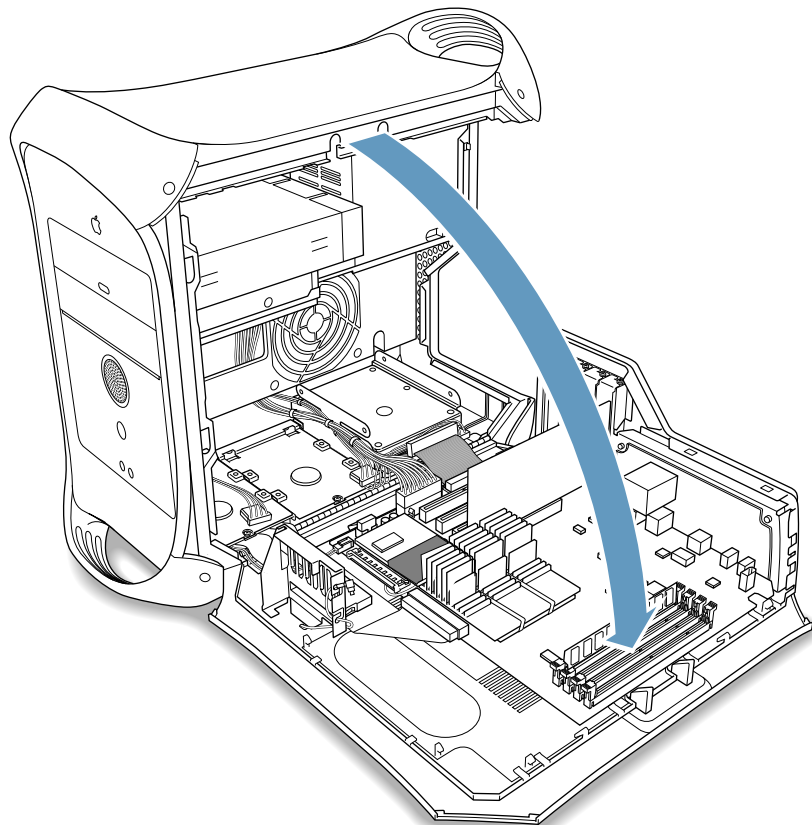
Apple, the Apple logo, Mac, Macintosh, and the Mac logo are trademarks of Apple Computer, Inc., registered in the U.S. and other countries.

Power Mac is a trademark of Apple Computer, Inc.

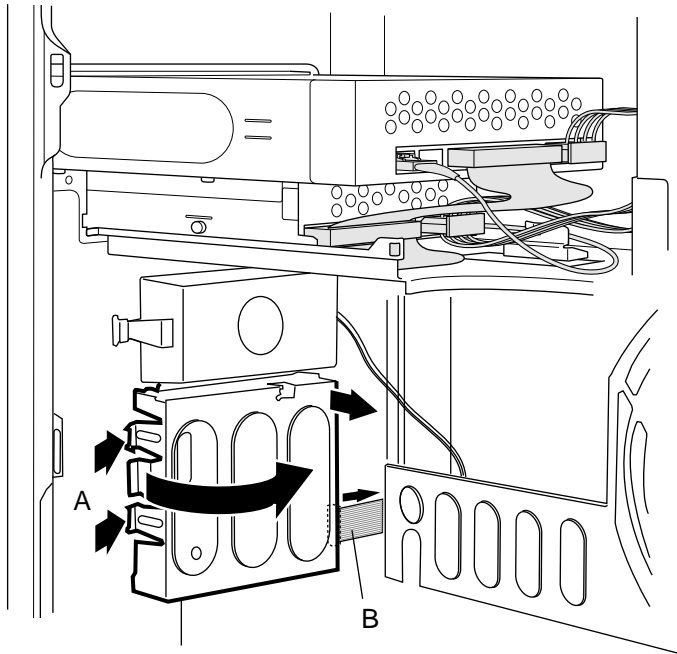
1



2



3



4

