

Optical Drive Carrier Replacement Instructions

Follow the instructions in this document carefully. Failure to follow these instructions could damage your equipment and void its warranty.

Note: The Mac Pro computer can accommodate two optical drives in the optical drive bay. If the computer has only one optical drive, it is installed in the top position.

Tools Required

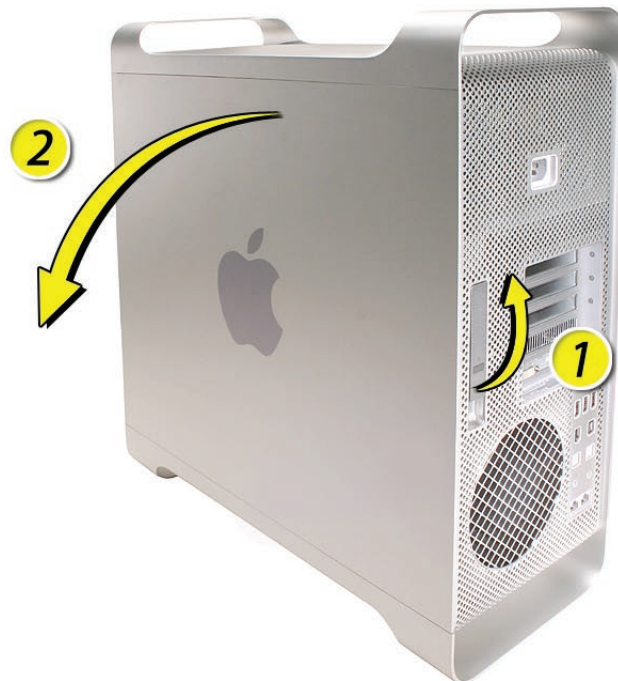
The only tool required for this procedure is a Phillips #1 screwdriver.

Opening the Computer

1. Shut down the computer.
Warning: Always shut down the computer before opening it to avoid damaging its internal components or the components you are installing. Do not open the computer or attempt to install items inside it while it is on.
2. Wait 5 to 10 minutes to allow the computer's internal components to cool.
Warning: After you shut down the system, the internal components can be very hot. You must let the computer cool down before continuing.
3. Unplug all external cables from the computer except the power cord.
4. Touch the metal PCI access covers on the back of the computer to discharge any static electricity from your body.
Important: Always discharge static before you touch any parts or install any components inside the computer. To avoid generating static electricity, do not walk around the room until you have finished working and closed the computer.

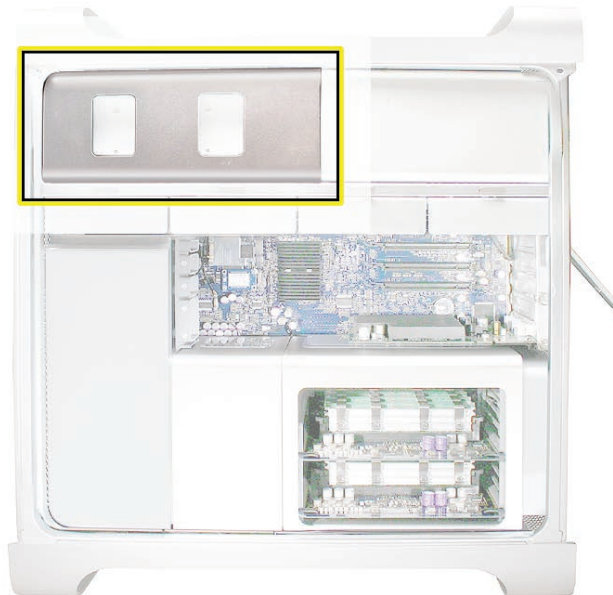


5. Unplug the power cord.
6. Hold the side access panel and lift the latch on the back of the computer.
Warning: The edges of the access panel and the enclosure can be sharp. Be very careful when handling them.
7. Remove the access panel and place it on a flat surface covered by a soft, clean cloth.



Removing the Installed Optical Drive Carrier

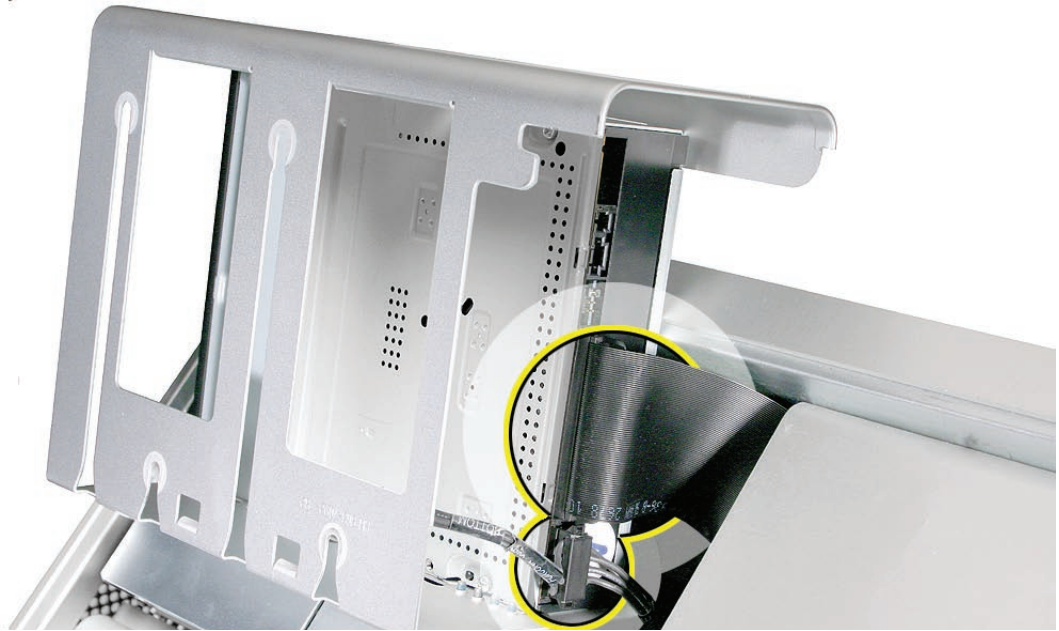
1. Carefully lay the computer on its side so that the open side faces up.
Important: Make sure the latch on the back panel is in the up position. When the latch is down, the optical drives and carrier are locked in place and you will not be able to remove them.
2. Locate the optical drive.



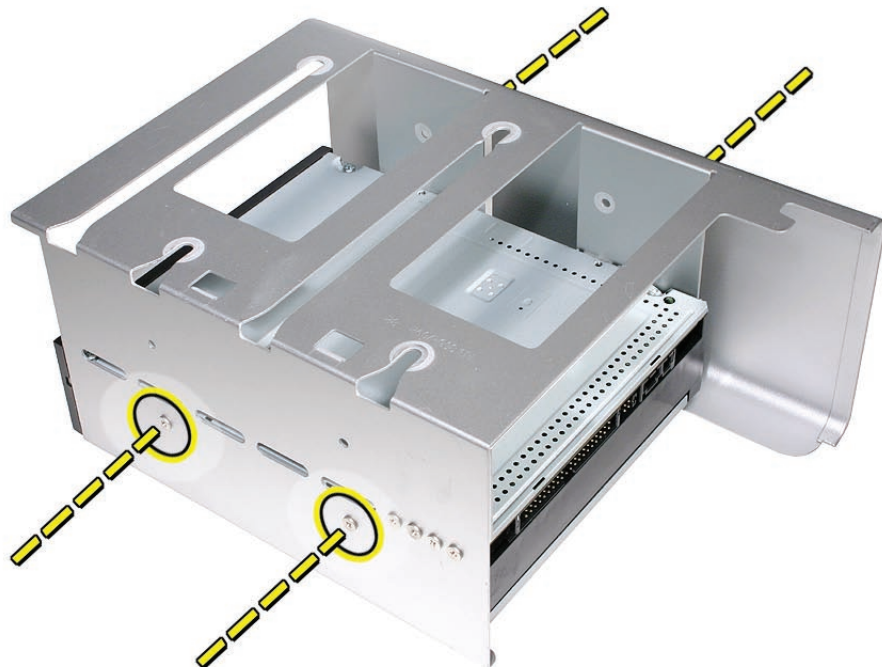
3. Pull the optical drive carrier part way out of the computer.



4. Disconnect the power and ribbon cables from the optical drive(s) and remove the carrier.



5. Remove the four mounting screws and remove the top optical drive from the carrier.

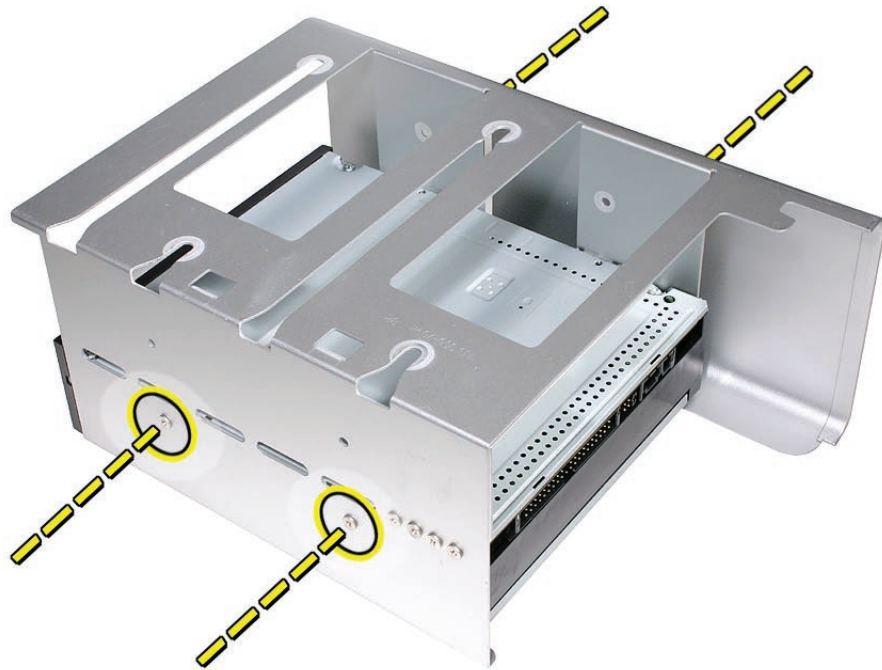


6. Remove the bottom optical drive, if installed.

Installing the Replacement Optical Drive Carrier

Note: Use the screws that mounted the optical drives to the original carrier when you install the drives in the replacement carrier.

1. Position the top optical drive in the top bay of the replacement carrier and secure it with the four mounting screws.



2. If installed, position the bottom optical drive in the bottom bay of the replacement carrier and secure it with the four mounting screws.

3. Attach the power and ribbon cables to the back of the drive(s).

Important: Attach the connector on the end of the optical drive ribbon cable and the connector in the middle of the optical drive power cable to the top drive. If there is a second drive in the carrier, attach the remaining optical drive ribbon and power connectors to the bottom drive.



4. Slide the optical drive carrier over the guides and into place in the optical drive bay.

Closing the Computer

1. Replace the access panel.
Note: Make sure the latch is in the up position before replacing the access panel. If the latch is down, the access panel will not seat correctly in the enclosure.
2. Push the latch down to close and secure the access panel.
Warning: Never turn on the computer unless all of its internal and external parts are in place and it is closed. Operating the computer when it is open or missing parts can damage it or cause injury.

 Apple Computer, Inc.

© 2006 Apple Computer, Inc. All rights reserved.

Under the copyright laws, this document may not be copied, in whole or in part, without the written consent of Apple.

Every effort has been made to ensure that the information in this document is accurate. Apple is not responsible for printing or clerical errors.

Apple
1 Infinite Loop
Cupertino, CA 95014-2084
USA
+ 1 408 996 1010
<http://www.apple.com>

Apple, the Apple logo, Mac, Macintosh, and Mac Pro are trademarks of Apple Computer, Inc., registered in the U.S. and other countries.